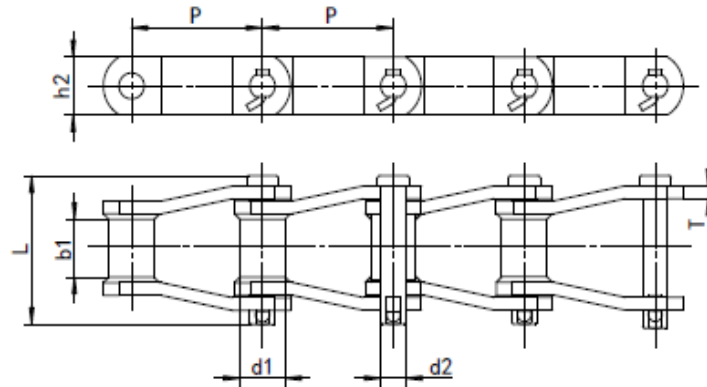
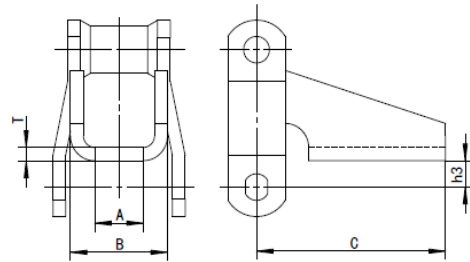


Welded steel chain



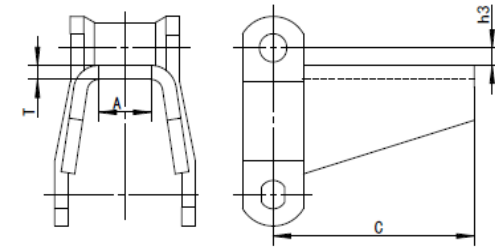
ZMIE Chain No.	Pitch	Bush diameter	Sprockets face	Pin diameter	Pin length	Plate depth	Plate thickness	Ultimate tensile strength	Weight per meter
	P	d1 max	b1 min	d2 max	L max	h2 max	T max	Q min	q
	mm	mm	mm	mm	mm	mm	mm	KN	kg/m
WH78	66.27	22.90	28.40	12.78	79.3	28.4	6.40	106.8	6.20
WH82	78.1	31.50	31.80	14.35	86.0	31.8	6.40	131.2	7.98
WH106	152.4	37.10	41.20	19.13	111.0	38.1	9.70	224.0	10.56
WH111	120.9	37.10	57.20	19.13	124.5	38.1	9.70	224.6	12.72
WH124	101.60	37.10	41.20	19.13	110.0	38.1	9.70	224.6	12.38
WH132	153.67	44.70	76.20	25.48	162.2	50.8	12.70	378.1	20.00
WH157	153.67	44.45	76.20	28.57	176.0	63.5	15.90	520.0	29.00
WH159	155.57	50.80	73.00	31.75	173.0	76.2	15.88	908.0	38.40

H1 attachment



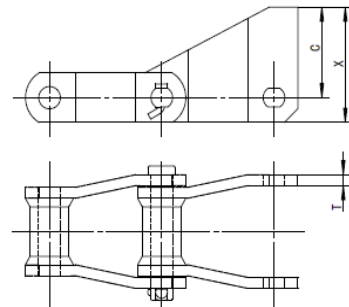
ZMIE Chain No.	h3	A	B	C	T
	mm	mm	mm	mm	mm
WH78	12.7	22.4	50.8	93.5	6.4
WH82	16.0	28.4	57.2	93.5	6.4

H2 attachment



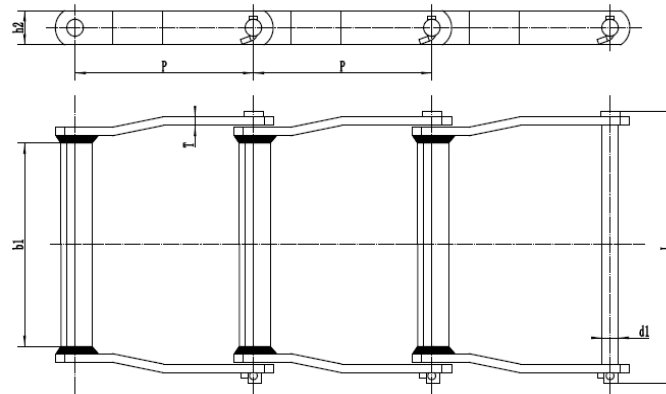
ZMIE Chain No.	h3	A
	mm	mm
WH78	7.9	20.8
WH82	7.9	26.4

S1 attachment



ZMIE Chain No.	X	C	T
	mm	mm	mm
WH124	101.6	82.5	12.7
WH132	152.4	127.0	12.7

Welded steel drag chain



ZMIE Chain No.	Pitch	Sprockets face	Pin diameter	Pin length	Plate depth	Plate thickness	Ultimate tensile strength	Weight per meter
	P	b1 min	d2 max	L max	h2 max	T max	Q min	q
	mm	mm	mm	mm	mm	mm	KN	kg/m
WDH104	152.40	104.60	19.05	175.20	38.1	9.5	310.00	12.0
WDH110	152.4	228.60	19.05	302.30	38.1	9.5	310.00	16.9
WDH120	152.40	222.20	22.23	307.50	50.8	12.7	500.00	28.7
WDH112	203.2	228.60	19.05	302.30	38.1	9.5	310.00	14.1
WDH116	203.20	325.80	19.05	397.20	44.5	9.5	320.00	18.8
WDH118	203.2	334.00	22.23	427.90	50.8	12.7	500.00	32.1
WDH480	203.20	282.40	22.23	370.90	50.8	12.7	500.00	26.9
WDH580	203.2	282.40	25.40	370.80	50.8	12.7	540.00	29.2