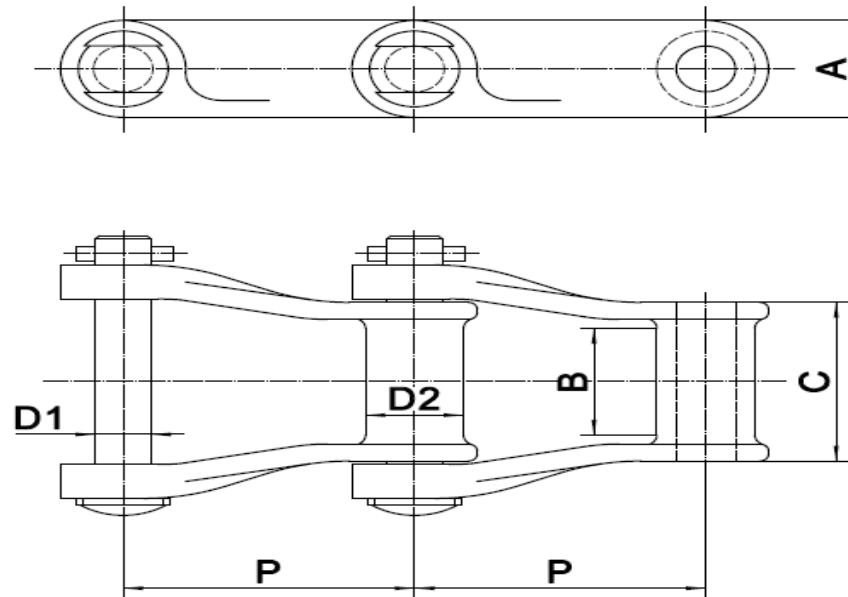


# Pintle chain

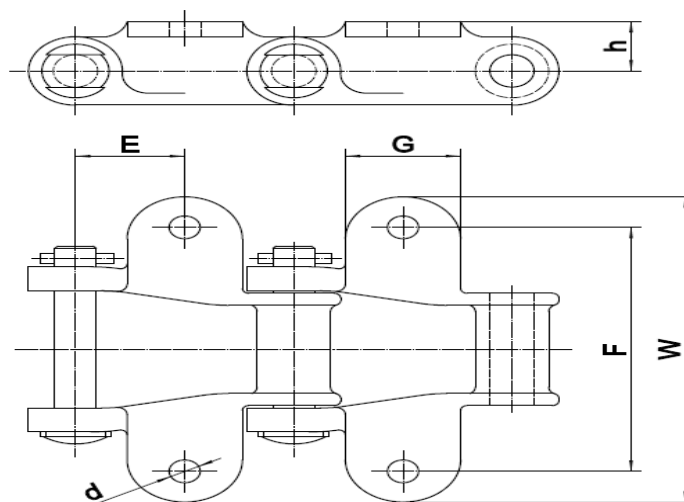
## H Series



### Chains

Chain Number	Pitch	Dimensions					Average U.T.S
	P	A	B	C	D1	D2	
H60	2.308"	0.75"	0.75"	1.50"	0.31"	0.75"	7000 lbs
	58.62mm	19.05mm	19.05mm	38.1mm	7.9mm	19.05mm	31 KN
H78	2.609"	1.12"	1.12"	1.88"	0.50"	0.88"	12600 lbs
	66.27mm	28.5mm	28.5mm	47.75mm	12.7mm	22.35mm	56 KN
H82	3.075"	1.25"	1.25"	2.12"	0.56"	1.22"	17000 lbs
	78.1mm	31.75mm	31.75mm	53.8mm	14.2mm	31mm	75.5 KN
H124	4"	1.56"	1.63"	2.75"	0.75"	1.44"	24500 lbs
	101.6mm	39.62mm	41.4mm	69.85mm	19.05mm	36.58mm	109 KN

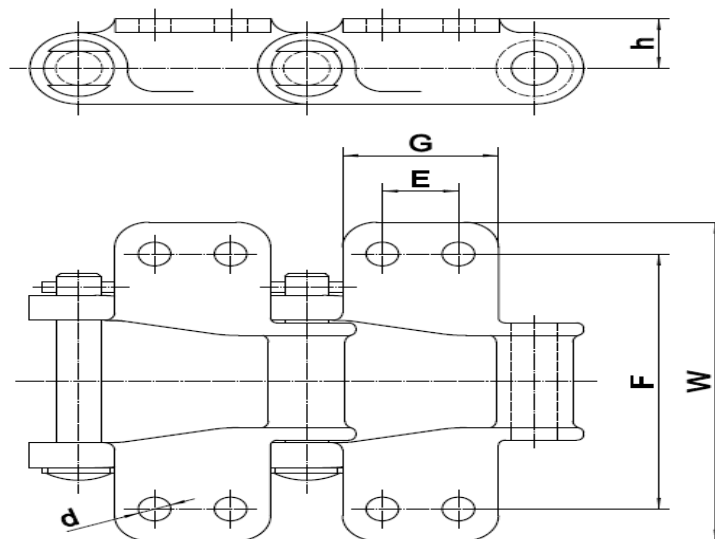
☆ Custom dimensions are also available.



### K1- Attachments

Chain Number	Pitch	Dimensions					
	P	h	G	E	d	F	W
H60	2.308"	0.75"	1.13"	1.06"	0.31"	3"	4"
	58.62mm	19.05mm	28.7mm	26.9mm	7.9mm	76.2mm	101.6mm
H74	2.609"	0.69"	1.13"	1.25"	0.31"	2.88"	3.88"
	66.27mm	17.5mm	28.7mm	31.75mm	7.9mm	73.15mm	98.55mm
H78	2.609"	0.81"	1.38"	1.25"	0.38"	4"	5"
	66.27mm	20.58mm	35mm	31.75mm	9.65mm	101.6mm	127mm
H124	4"	1.19"	2.87"	1.89"	0.38"	5.25"	6.38"
	101.6mm	30.2mm	72.9mm	48mm	9.65mm	133.4mm	162mm

☆ Custom dimensions are also available.

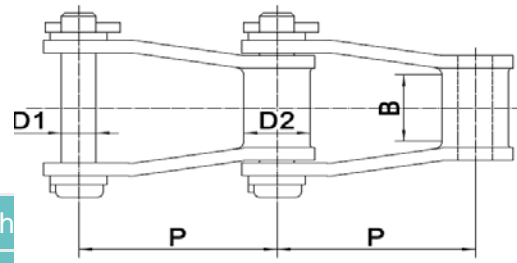
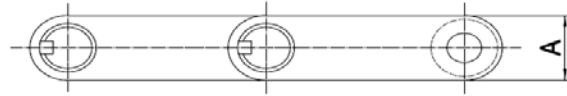


### K2- Attachments

Chain Number	Pitch	Dimensions					
	P	h	G	L	d	F	W
H82	3.075"	0.88"	2.19"	1.31"	0.38"	4.25"	5.5"
	78.1mm	22.35mm	55.6mm	33.3mm	9.65mm	108mm	139.7mm
H124	4"	1.19"	2.88"	1.94"	0.38"	5.25"	6.38"
	101.6mm	30.2mm	73.1mm	49.3mm	9.65mm	133.4mm	162mm

☆ Custom dimensions are also available.

# 400 Series



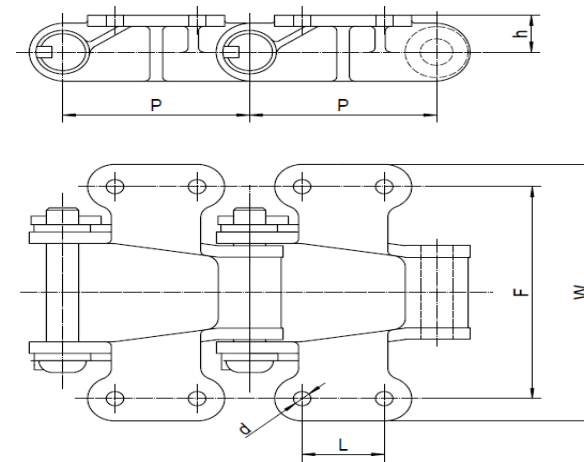
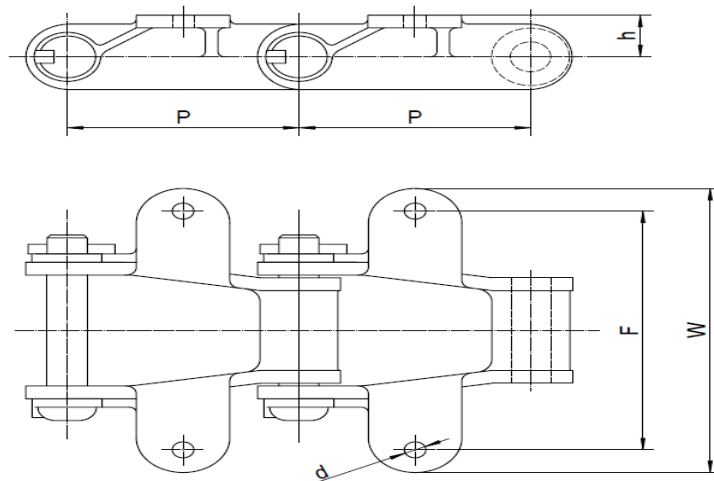
## Chains

Chain Number	Pitch	A	B	D1	D2
	P				
442	1.375" 34.92mm	0.75" 19.05mm	0.63" 16mm	0.31" 7.9mm	0.56" 14.2mm
445	1.63" 41.4mm	0.75" 19.05mm	0.69" 17.5mm	0.31" 7.9mm	0.63" 16mm
452	1.506" 38.25	0.84" 21.34mm	0.63" 16mm	0.38" 9.65mm	0.69" 17.5mm
455	1.63" 41.4mm	0.84" 21.34mm	0.69" 17.5mm	0.38" 9.65mm	0.63" 16mm
462	1.634" 41.5mm	0.94" 23.9mm	0.81" 20.6mm	0.44" 11.2mm	0.72" 18.3mm
467	2.308" 58.62mm	0.78" 19.8mm	0.75" 19.05mm	0.31" 7.9mm	0.66" 16.8mm
477	2.308" 58.62mm	1" 25.4mm	0.69" 17.5mm	0.44" 11.2mm	0.81" 20.6mm
488	2.609" 66.27mm	1" 25.4mm	0.75" 19.05mm	0.44" 11.2mm	0.88" 22.35mm
4103	3.075" 78.1mm	1.50" 38.1mm	1" 25.4mm	0.75" 19.05mm	1.25" 31.75mm

☆ Custom dimensions are also available.

### K1- Attachment

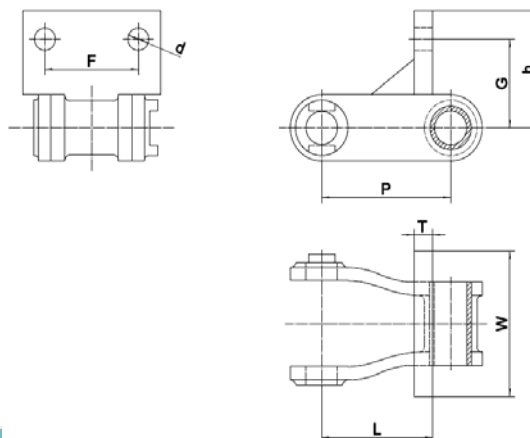
### K2- Attachment



### K1 / K2 - Attachments

Chain Number	Pitch		Dimensions			
	P	h	L	d	F	W
488	2.609"	0.68"	1.26"	0.33"	3.64"	4.57"
	66.27mm	17.3mm	32mm	8.5mm	92.5mm	
4103	3.07"	0.89"	1.50"	0.51"	4.13"	5.08"
	78.1mm	22.5mm	38mm	13mm	105mm	

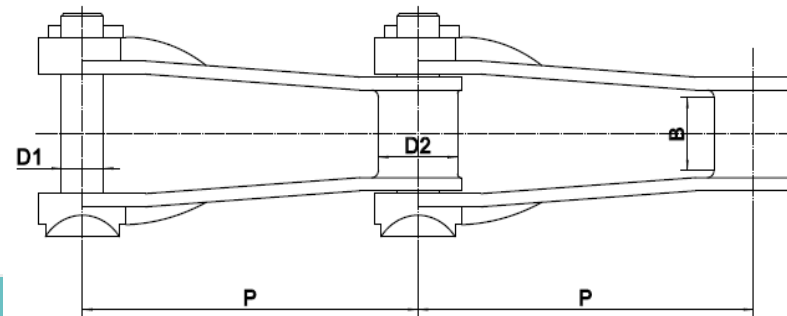
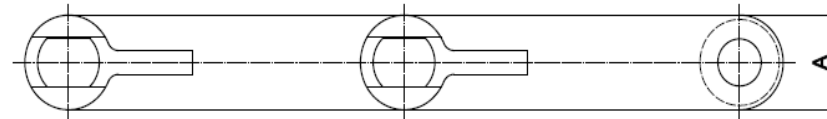
☆ Custom dimensions are also available.



### F29 - Attachments

Chain Number	Pitch	Dimensions						
	P	h	G	d	F	W	L	T
4103F29	3.07"	2.64"	2"	0.5"	2.23"	3.28"	2.64"	0.43"
	78.1mm	67mm	50.8mm	12.7mm	56.6mm			11mm

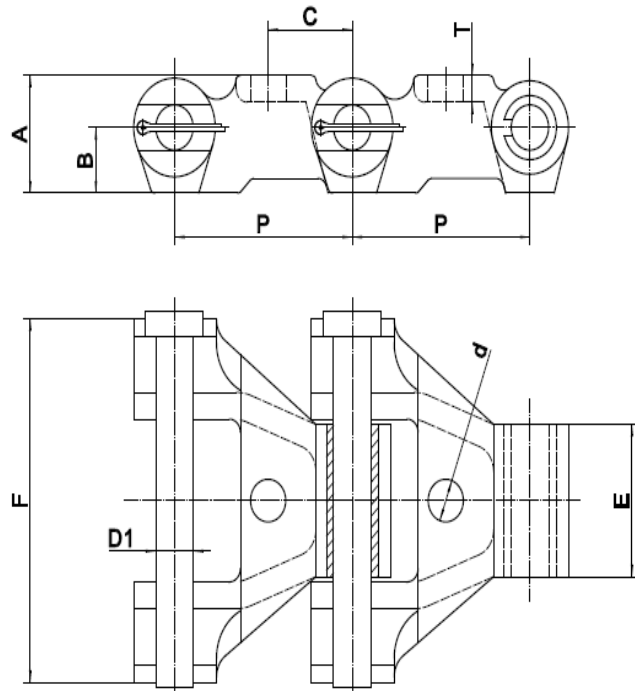
☆ Custom dimensions are also available.



700 Series

Chain Number	Pitch	Average U.T.S				Average U.T.S
	P	A	B	D1	D2	
720S	6"	1.56"	1.13"	0.75"	1.44"	30000 lbs
	152.4mm	39.6mm	28.7mm	19.05mm	36.6mm	
730	6"	1.75"	1.13"	0.75"	1.5"	30000 lbs
	152.4mm	44.45mm	28.7mm	19.05mm	38.1mm	

☆ Custom dimensions are also available.



900 Series

Chain Number	Pitch	Dimensions							
	P	A	B	C	D1	d	E	F	T
907-E51	3.17"	1.65"	0.94"	1.50"	0.62"			5.35"	0.38"
	80.5mm	42mm	23.8mm	38.1mm	15.8mm	0.63"	2.24"	136mm	9.65mm

☆ Custom dimensions are also available.





ZCH\_6877.jpg



ZCH\_7475.JPG





ZCH\_7476.JPG



ZCH\_7491.JPG



ZCH\_7496.JPG





ZCH\_7497.JPG



IE  
I N



301 350 100