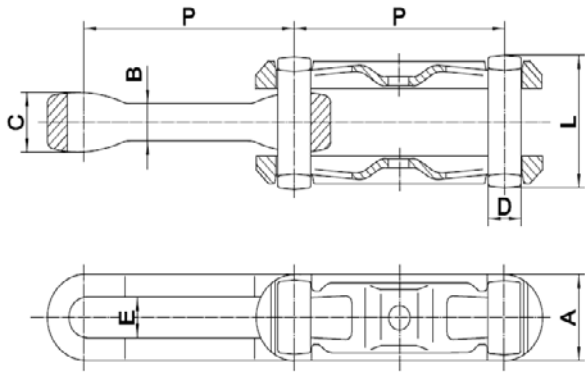
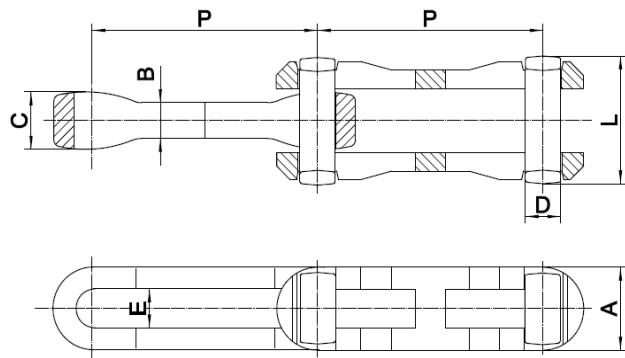


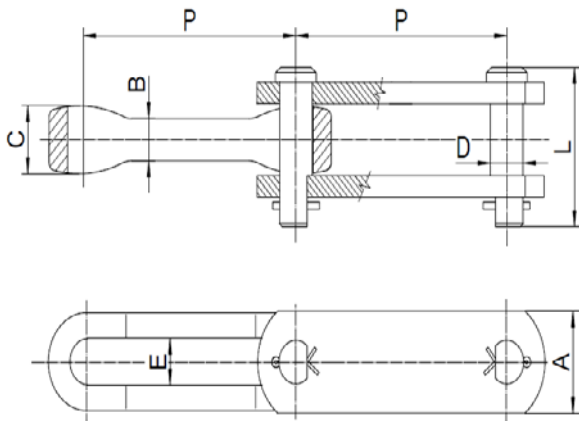
X-Type



Regular Type



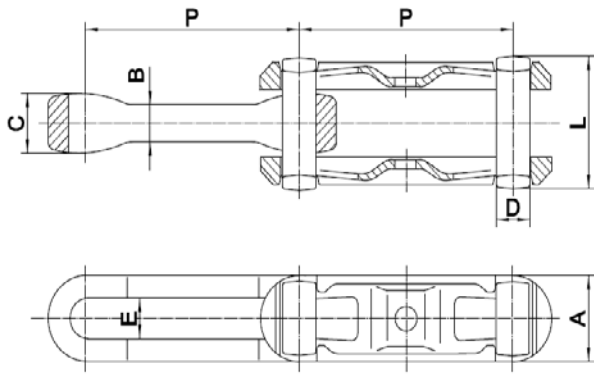
S-Type



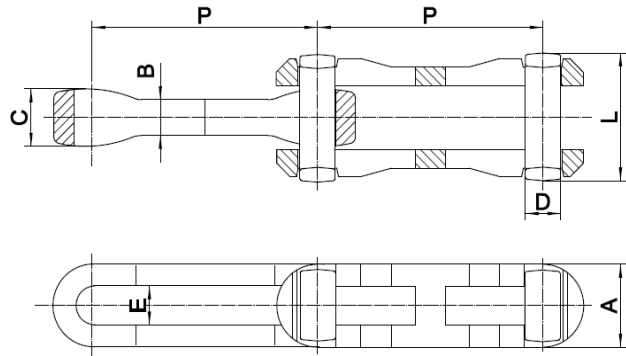
Drop Forged Overhead Conveyor Chain X348 X458 X678

Chain Number	Nominal Pitch	Actual Pitch	Pin Diameter	Pin Length	Other Dimensions				Ultimate Tensile Strength	Type
	P		D	L	A	B	C	E	Q	
348	3"	3.02"	0.50"	1.81"	1.1"	0.52"	0.74"	0.55"	24750 lbs	Δ
	76.2mm	76.6mm	12.7mm	46mm	28mm	13.2mm	18.5mm	14mm	110 KN	
458	4"	4.03"	0.625"	2.244"	1.42"	0.63"	1"	0.69"	47250 lbs	Δ
	101.6mm	102.4mm	15.88mm	57mm	36mm	16mm	25.4mm	17.5mm	210 KN	
678	6"	6.03"	0.87"	3.03"	2"	0.83"	1.26"	0.98"	85500 lbs	Δ
	152.4mm	153.2mm	22mm	77mm	50.8mm	21mm	32mm	25mm	380 KN	

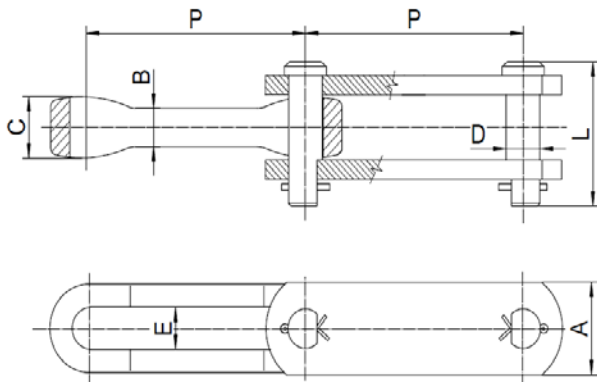
X-Type



Regular Type



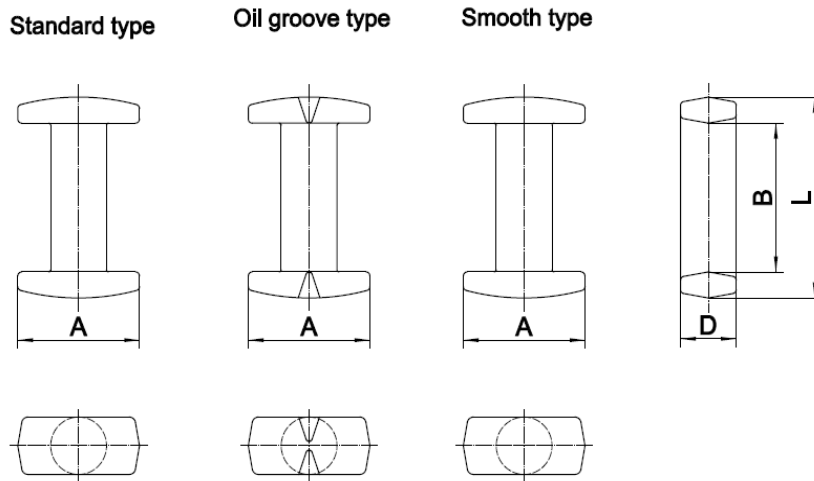
S-Type



Drop Forged Sugar Mill Chain X698

Chain Number	Nominal Pitch	Actual Pitch	Pin Diameter r	Pin Length	Other Dimensions				Ultimate Tensile Strength	Type
	P		D	L	A	B	C	E	Q	
698	6"	6.03"	1.126"	3.74"	2.54"	1"	1.54"	1.26"	114750 lbs	△
	152.4mm	153.2mm	28.6mm	95mm	64.5mm	25.4mm	39mm	32mm	510 KN	

drop forged link pin

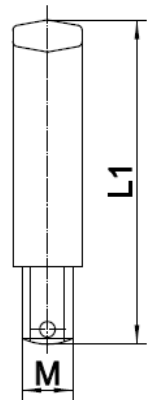
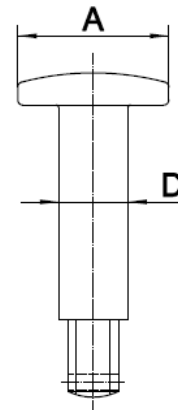
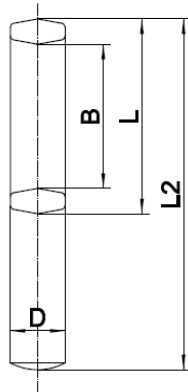
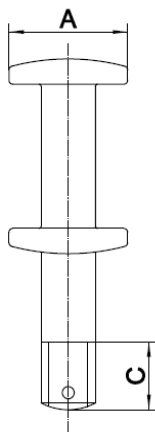
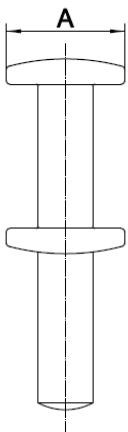


Extended Pin

Master Pin

TYPE - 1

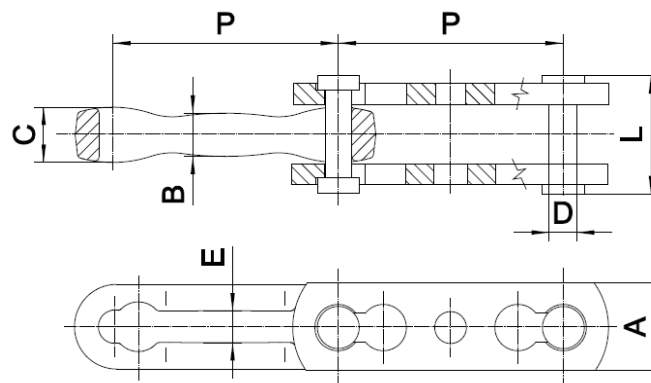
TYPE - 2



Chain Number	Chain Pitch	Pin Diamete	Pin Length	Other Dimensions					
	P	D	L	A	B	C	M	L1	L2
X678	6"	0.87"	3.03"	1.89"	2.26"	1.18"	0.63"	3.86"	5.35"
	152.4mm	22mm	77mm	48mm	57.5mm	30mm	16mm	98mm	136mm
X458	4"	0.63"	2.24"	1.26"	1.65"	0.98"	0.47"	2.76"	4.41"
	101.6mm	16mm	57mm	32mm	42mm	25mm	12mm	70mm	112mm
X348	3"	0.50"	1.81"	0.98"	1.30"	-	-	-	-
	76.2mm	12.7mm	46mm	25mm	33mm	-	-	-	-

☆ Custom Dimensions are also available.

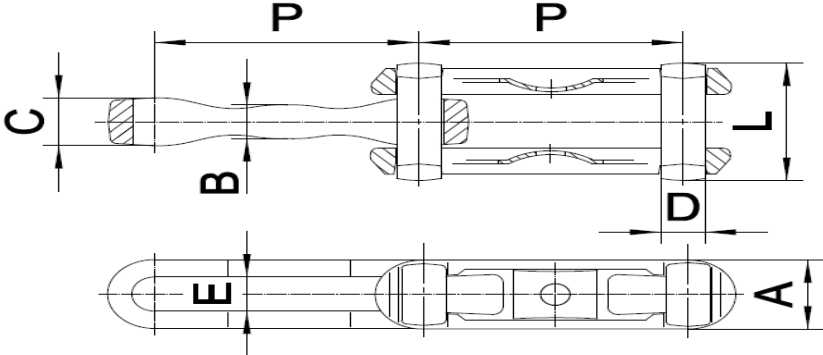
S228 zinc plated forged detachable chain



Chain Number	Pitch	Pin Diameter	Pin Length	Other Dimensions				Ultimate Tensile Strength	Type
	P	D	L	A	B	C	E	Q	
S-228	2"	0.25"	1.04"	0.756"	0.382"	0.49"	0.256"	6000 lbs	S
	50.8mm	6.3mm	26.5mm	19.2mm	9.7mm	12.4mm	6.5mm	27 KN	

☆ Custom dimensions are also available.

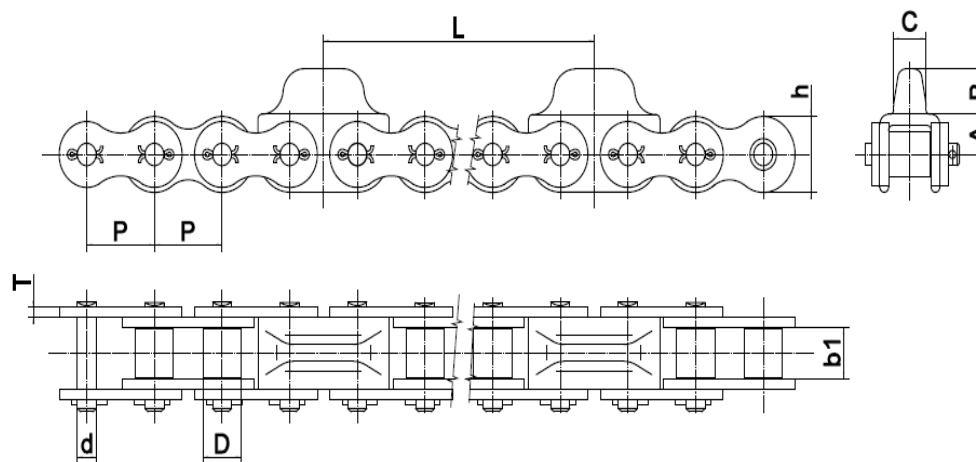
X228 drop forged chain



Chain Number	Pitch	Pin Diameter	Pin Length	Other Dimensions				Ultimate Tensile Strength	Type
	P	D	L	A	B	C	E	Q	
X-228	2"	0.25"	1.16"	0.71"	0.37"	0.47"	0.315"	6000 lbs	X
	50.8mm	6.3mm	29.5mm	18mm	9.4mm	12mm	8mm	27 KN	

☆ Custom dimensions are also available.

Caterpillar Drive Chain



Chain Number	Pitch	Dimensions								
	P	D	b1	h	T	d	L	A	B	C
X678-D	2"	1.13"	1.24"	1.88"	0.25"	0.56"	12"	1"	2"	1.06"
	50.8mm	28.58mm	31.55mm	47.8mm	6.4mm	14.27mm	304.8mm	25.4mm	50.8mm	27mm
X458-D	2"	1.13"	1.24"	1.88"	0.25"	0.56"	8"	1"	1.38"	1"
	50.8mm	28.58mm	31.55mm	47.8mm	6.4mm	14.27mm	203.2mm	25.4mm	35.1mm	25.4mm
X348-D	2"	1.13"	1.24"	1.88"	0.25"	0.56"	12"	1"	1.12"	0.63"
	50.8mm	28.58mm	31.55mm	47.8mm	6.4mm	14.27mm	304.8mm	25.4mm	28.5mm	16mm