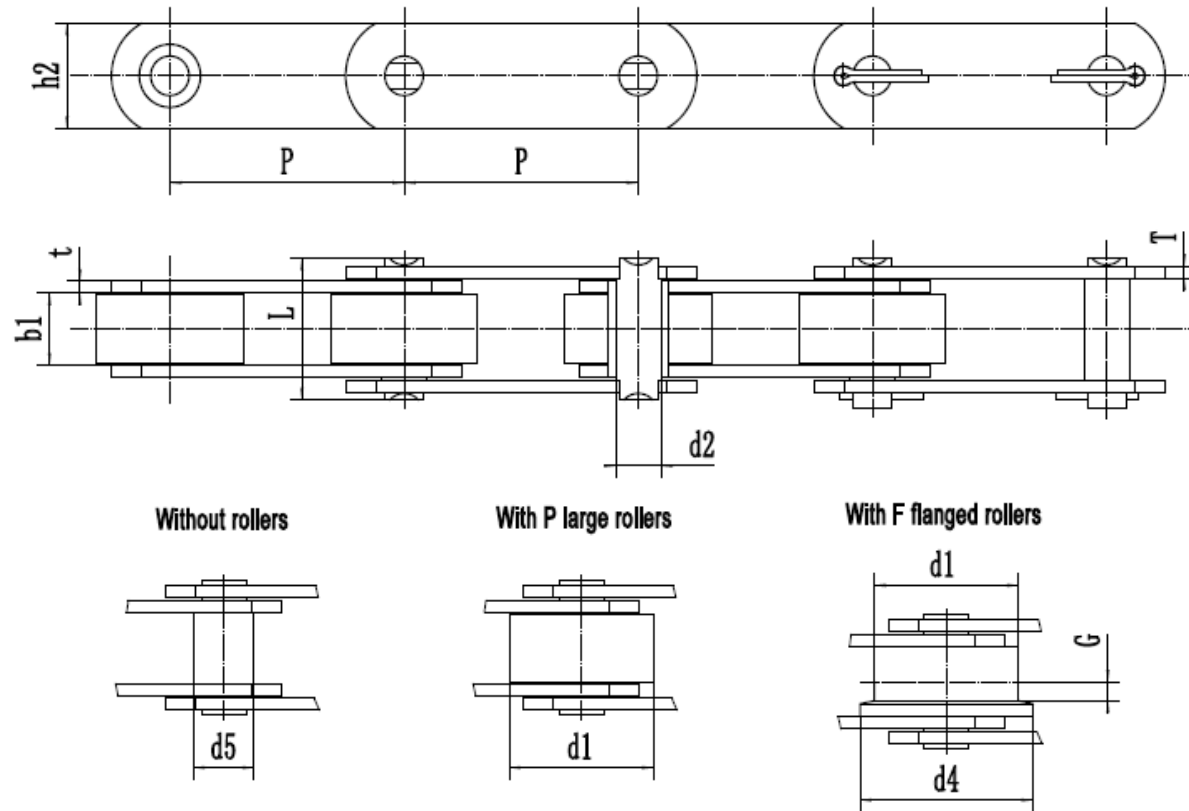


Z series conveyor chain

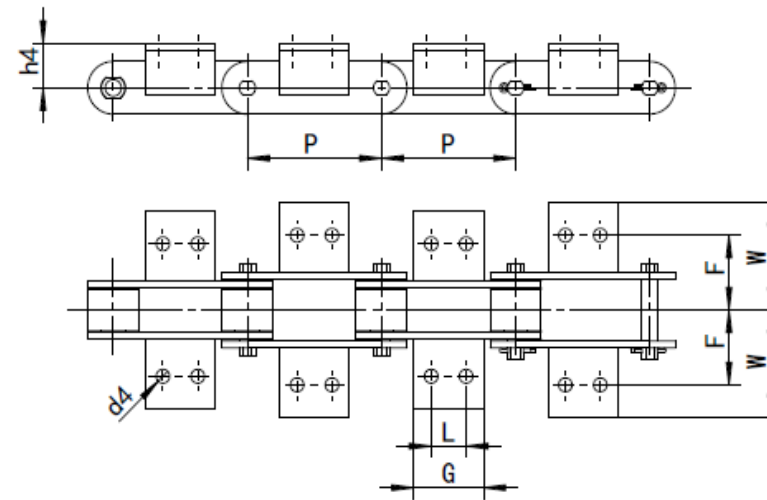
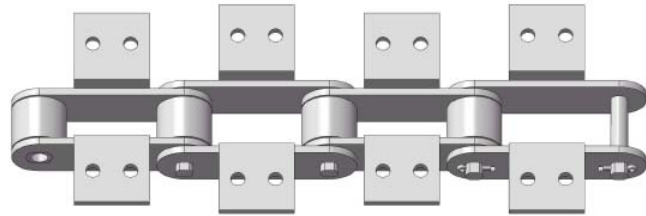


ZMIE Chain No.	Pitch								Roller diameter			Bush diameter
	P								d1 max	d4 max	G	d5 max
	mm								mm	mm	mm	mm
Z40	50.80	63.50	76.20	88.90	101.60	127.00	152.40	31.75	40.00	2.50	17.00	
Z100	76.20	88.90	101.60	127.00	152.40	177.80	203.20	47.50	60.00	3.50	23.00	

ZMIE Chain No.	Pitch							Roller diameter			Bush diameter
	P							d1 max	d4 max	G	d5 max
	mm							mm	mm	mm	mm
Z160	101.60	127.00	152.40	177.80	203.20	228.60	254.00	66.70	82.00	3.50	33.00
Z300	152.40	177.80	203.20	254.00	304.80	-	-	88.90	114.00	8.50	38.00

ZMIE Chain No.	Width between inner plates	Pin diameter	Pin length	Plate depth	Plate thickness	Ultimate tensile strength
	b1 min	d2 max	L max	h2 max	t/T max	Q min
	mm	mm	mm	mm	mm	KN/LB
Z40	15.00	14.00	37.00	25.00	4.00	40/9000
Z100	19.00	19.00	45.00	40.00	5.0/4.0	100/22500
Z160	26.00	26.90	58.00	50.00	7.0/5.0	156/35100
Z300	38.00	32.00	84.00	60.00	10/8.0	300/67500

Attachments for Z series conveyor chain

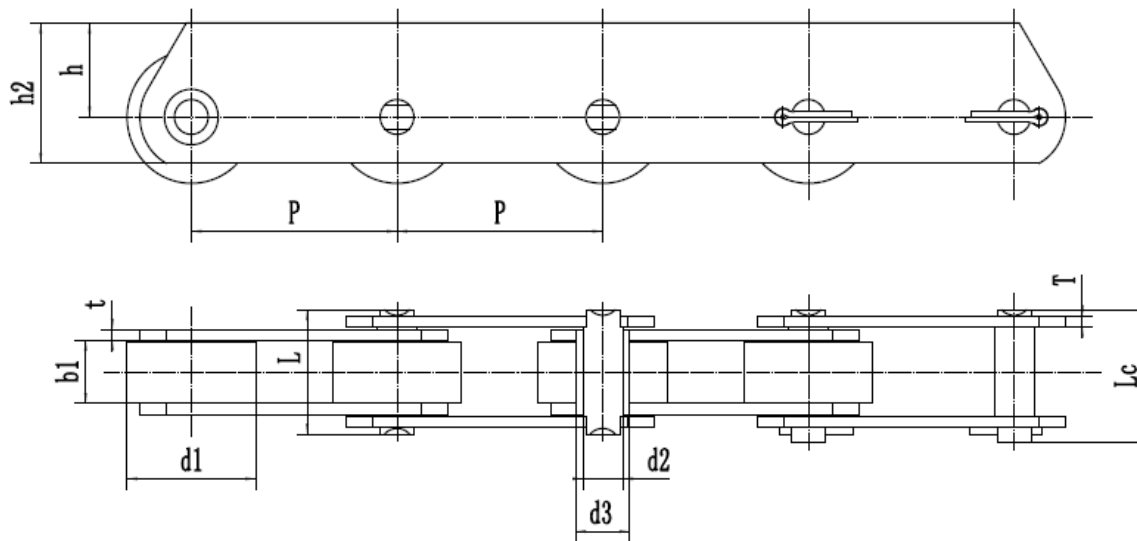


ZMIE Chain No.	P	L	G	d4	F	W	h4
	mm	mm	mm	mm	mm	mm	mm
	50.80	△	45.00			64.50	
	63.50	22.20	43.00			56.00	
	76.20	22.20	45.00			68.00	
Z40	88.90	31.80	50.00	9.30	38.10	56.00	19.00
	101.60	31.80	64.00			55.00	
	127.00	57.20	84.00			56.00	
	152.40	57.20	84.00			56.00	

	76.20	△	30.00				
	88.90	△	30.00				
	101.60	31.80	64.00				
Z112	127.00	57.20	84.00	10.50	44.50	65.00	32.00
	152.40	57.20	114.50				
	177.80	80.00	110.00				
	203.20	80.00	110.00				
	101.60	△	35.00				
	127.00	31.70	56.00				
	152.40	57.20	84.00				
Z140	177.80	57.20	84.00	12.30	54.00	77.00	38.00
	203.20	100.00	130.00				
	228.60	100.00	150.00				
	254.00	135.00	170.00				
	152.40	38.10	70.00				
	177.80	38.10	70.00				
Z315	203.20	76.20	100.00	14.00	73.00	100.00	51.00
	254.00	90.00	152.40				
	304.80	190.00	225.00				

△ The attachment with 1 hole only.

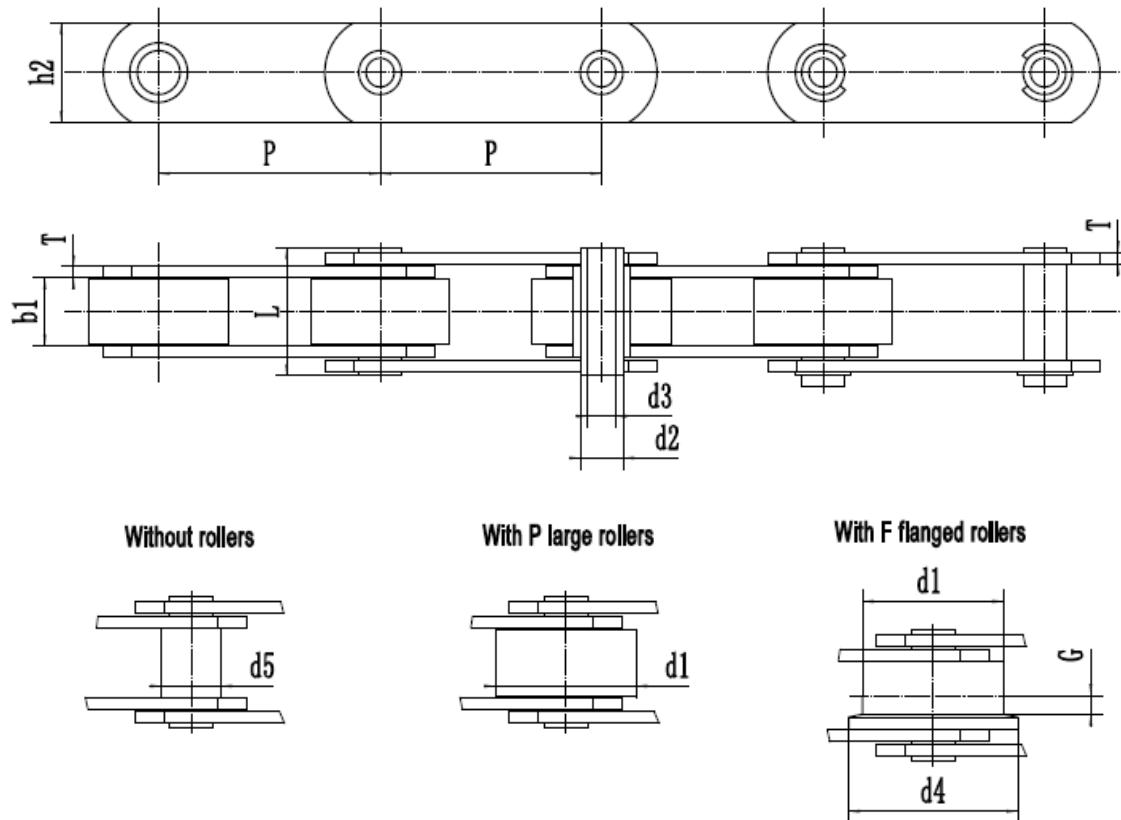
ZE series conveyor chain



ZMIE Chain No.	Pitch							Roller diameter	Bush diameter	Pin diameter	Pin length	
	P							d1 max	d3 max	d2 max	L max	Lc max
	mm							mm	mm	mm	mm	mm
ZE40	50.80	63.50	76.20	88.90	101.60	127.00	152.40	31.75	17.00	14.00	37.00	40.50
ZE100	76.20	88.90	101.60	127.00	152.40	177.80	203.20	47.50	23.00	19.00	45.00	50.50
ZE160	101.60	127.00	152.40	177.80	203.20	228.60	254.00	66.70	33.00	26.90	58.00	63.50
ZE300	152.40	177.80	203.20	254.00	304.80	-	-	88.90	38.00	32.00	84.00	94.00

ZMIE Chain No.	Width between inner plates	Plate depth	Plate depth	Plate thickness	Ultimate tensile strength
	b1 min	h2 max	h max	T max	Q min
	mm	mm	mm	mm	KN/LB
ZE40	15.00	40.00	27.00	4.00	40/9000
ZE100	19.00	50.00	30.00	5.0/4.0	100/22500
ZE160	26.00	70.00	45.00	7.0/5.0	156/35100
ZE300	38.00	90.00	60.00	10/8.0	300/67500

ZC series conveyor chain



ZMIE Chain No.	Pitch							Roller diameter			Bush diameter
	P							d1 max	d4 max	G	d5 max
	mm							mm	mm	mm	mm
ZC21	38.10	50.80	63.50	76.20	-	-	-	25.40	-	-	11.00

ZC40	50.80	63.50	76.20	88.90	101.60	127.00	152.40	31.75	40.00	2.50	17.00
ZC60	76.20	88.90	101.60	127.00	152.40	177.80	203.20	47.50	60.00	3.50	23.00
ZC150	101.60	127.00	152.40	177.80	203.20	228.60	254.00	66.70	82.00	4.00	33.00
ZC300	152.40	177.80	203.20	254.00	304.80	-	-	88.90	114.00	8.50	38.00

ZMIE Chain No.	Width between inner plates	Pin diameter		Pin length	Plate depth	Plate thickness	Ultimate tensile strength
	b1 min	d2 max	d3 min	L max	h2 max	T max	Q min
	mm	mm	mm	mm	mm	mm	KN/LB
ZC21	12.70	9.00	6.50	26.00	18.00	2.50	21/4725
ZC40	15.00	14.00	10.20	36.40	25.00	4.00	40/9000
ZC60	19.00	19.00	13.20	45.00	40.00	5.0/4.0	60/13500
ZC150	26.00	26.90	20.20	58.00	50.00	7.0/5.0	150/33750
ZC300	38.00	32.00	22.50	83.00	60.00	10/8.0	300/67500