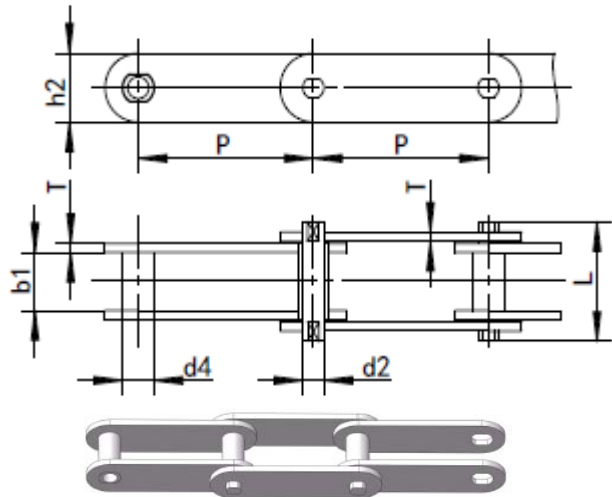
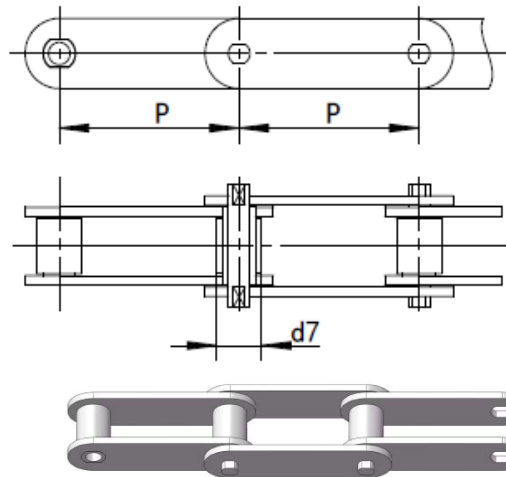


# M series conveyor chain

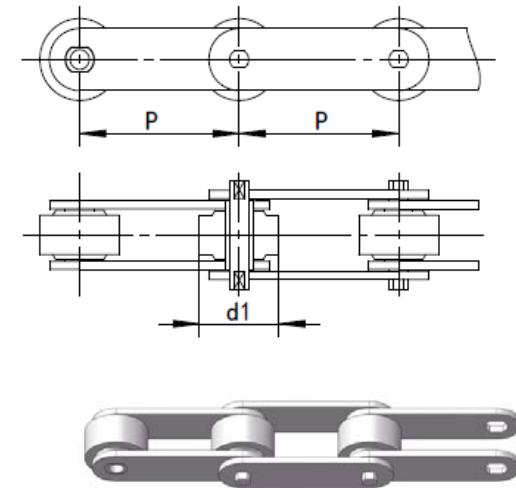
1. Without rollers



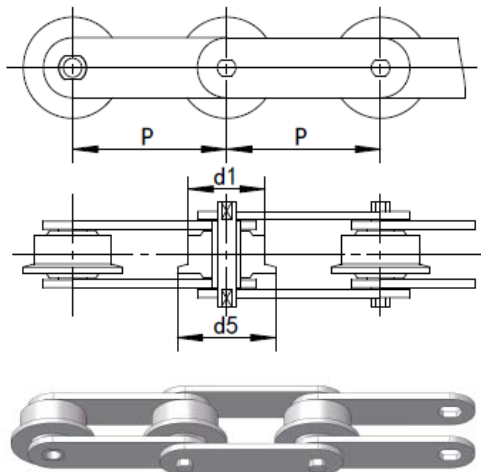
2. With small rollers



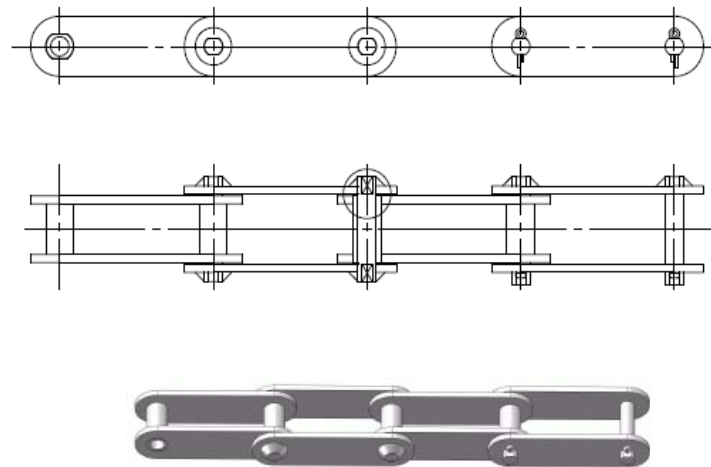
3. With large rollers



4. With flanged rollers



5. Plates welded with riveted pins



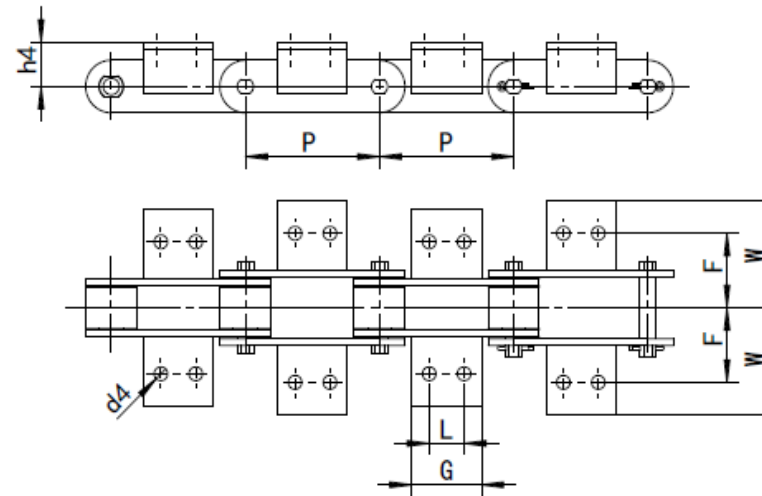
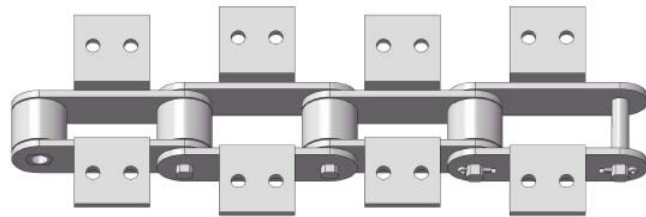
Welded pin



ZMIE Chain No.	Pitch											Bush diameter
	P								d1 max	d7 max	d5max	d4 max
	mm								mm	mm	mm	mm
M20	40.0	50.0	63.0	80.0	100.00	125.0	160.0		25.00	12.5	32.0	9.0
M28	50.0	63.0	80.0	100.0	125.00	160.0	200.0		30.00	15	36.0	10.0
M40	63.0	80.0	100.0	125.0	160.00	200.0	250.0		36.00	18	42.0	12.5
M56	63.0	80.0	100.0	125.0	160.00	200.0	250.0		42.00	21	50.0	15.0
M80	80.0	100.0	125.0	160.0	200.00	250.0	315.0		50.00	25	60.0	18.0
M112	80.0	100.0	125.0	160.0	200.00	250.0	315.0	400.00	60.00	30	70.0	21.0
M160	100.0	125.0	160.0	200.0	250.00	315.0	400.0	500.00	70.00	36	85.0	25.0
M224	125.0	160.0	200.0	250.0	315.00	400.0	500.0	630.00	85.00	42	100.0	30.0
M315	160.0	200.0	250.0	315.0	400.00	500.0	630.0		100.00	50	120.0	36.0
M450	200.0	250.0	315.0	400.0	500.00	630.0	800.0		120.00	60	140.0	42.0

ZMIE Chain No.	Width between inner plates	Pin diameter	Pin length	Plate depth	Plate thickness	Ultimate tensile strength
	b1 min	d2 max	L max	h2 max	T max	Q min
	mm	mm	mm	mm	mm	KN/LB
M20	16.0	6.0	35.0	19.0	2.50	20/4500
M28	18.0	7.0	40.0	21.0	3.00	28/6300
M40	20.0	8.5	45.0	26.0	3.50	40/9000
M56	24.0	10.0	52.0	31.0	4.00	56/12600
M80	28.0	12.0	62.0	36.0	5.00	80/18000
M112	32.0	15.0	73.0	41.0	6.00	112/25200
M160	37.0	18.0	85.0	51.0	7.00	160/36000
M224	43.0	21.0	98.0	62.0	8.00	224/50400
M315	48.0	25.0	112.0	72.0	10.00	315/70875
M450	56.0	30.0	135.0	82.0	12.00	450/101250

## Attachments for M series conveyor chain



ZMIE Chain No.	P	L	G	d4	F	W	h4
	mm	mm	mm	mm	mm	mm	mm
M20	40.0	△	14.0				
	50.0	△	14.0				
	63.0	20.0	35.0	6.6	27.00	40.0	16.0
	80.0	35.0	50.0				
M28	50.0	△	20.0				
	63.0	△	20.0	9.0	32.00	47.0	20.0



M20	80.0	25.0	45.0	9.0	32.00	47.0	20.0
	100.0	40.0	60.0				

	63.0	Δ	31.0				
M40	80.0	20.0	45.0	9.0	35	50	25
	100.0	40.0	60.0				
	125.0	65.0	85.0				

	63.0	Δ	22.0				
	80.0	Δ	30.0				
M56	100.0	25.0	50.0	11.0	44.0	61.0	30.0
	125.0	50.0	75.0				
	160.0	85.0	110.0				

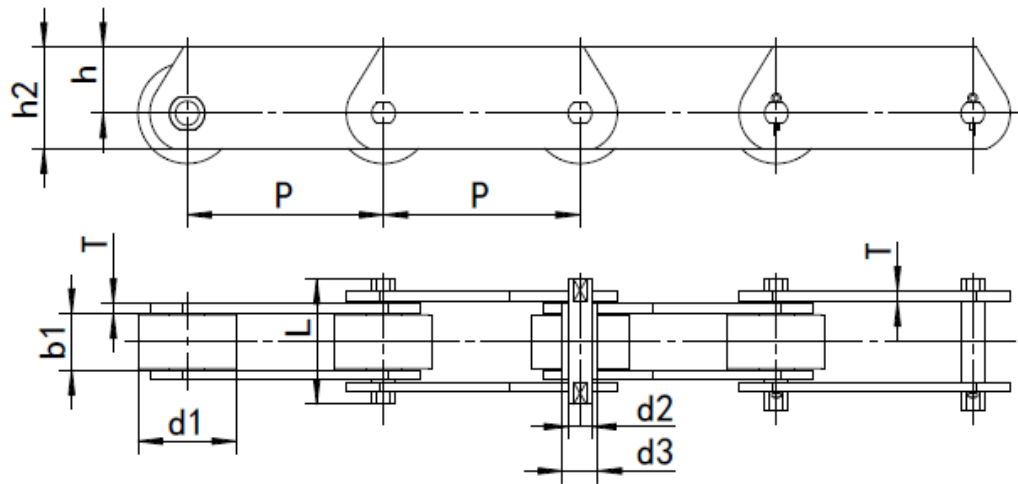
	80.0	Δ	30.0				
	100.0	25.0	50.0				
M80	125.0	50.0	75.0	11.0	48.0	65.0	35.0
	160.0	85.0	110.0				
	200.0	125.0	150.0				

	80.0	Δ	28.0				
	100.0	Δ	40.0				
M112	125.0	35.0	65.0	14.0	55.0	80.0	40.0
	160.0	65.0	95.0				
	200.0	100.0	130.0				

	100.0	△	30.0				
	125.0	25.0	50.0				
M160	160.0	50.0	80.0	14.0	62.0	85.0	45.0
	200.0	85.0	115.0				
	250.0	145.0	175.0				
	125.0	△	35.0				
	160.0	△	60.0				
M224	200.0	65.0	100.0	18.0	70.0	110.0	55.0
	250.0	125.0	160.0				
	315.0	190.0	230.0				
	160.0	△	35.0				
	200.0	50.0	85.0				
M315	250.0	100.0	140.0	18.0	80.0	115.0	65.0
	315.0	155.0	190.0				
	400.0	155.0	205.0				

△ The attachment with 1 hole only.

## MT series conveyor chain

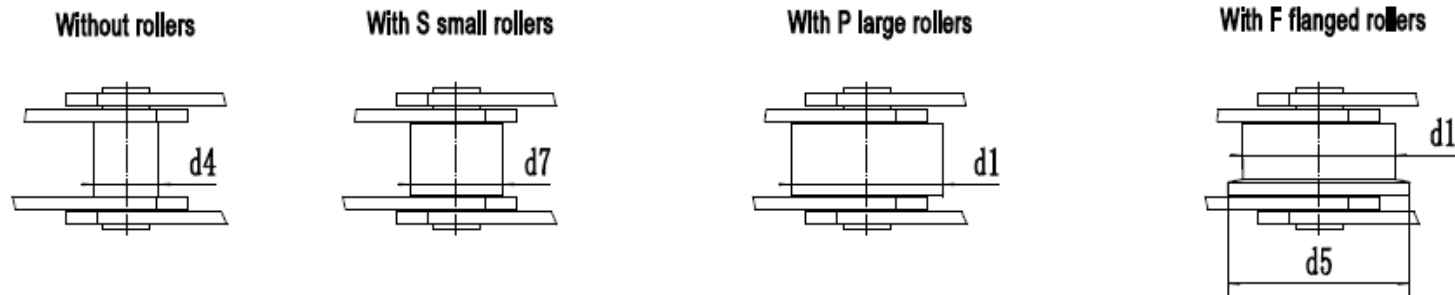
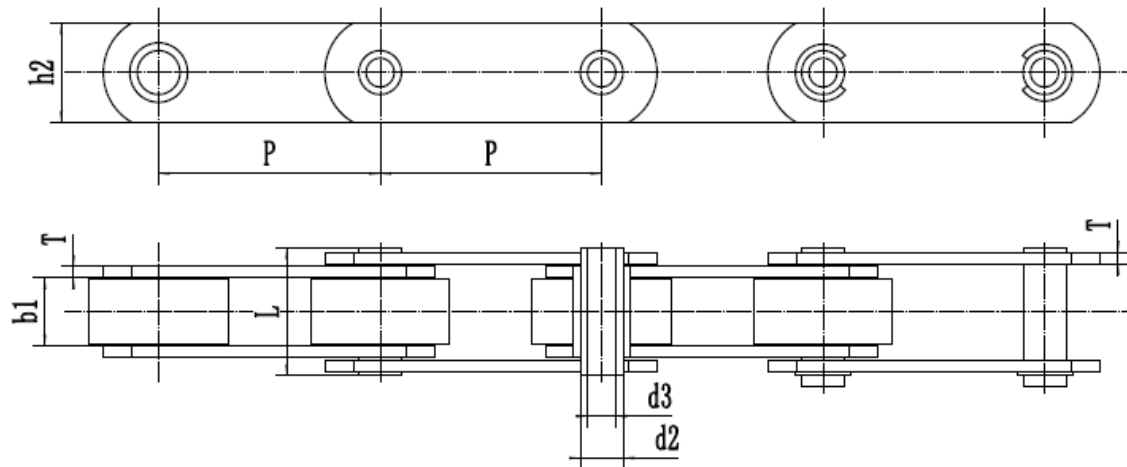


ZMIE Chain No.	Pitch					Width between inner plates	Roller diameter
	P					b1 min	d1 max
	mm					mm	mm
MT20	40.0	50.0	63.0	80.0	100.00	16.0	25.0
MT28	50.0	63.0	80.0	100.0	125.00	18.0	30.0
MT40	63.0	80.0	100.0	125.0	160.00	20.0	36.0
MT56	63.0	80.0	100.0	125.0	160.00	24.0	42.0
MT80	80.0	100.0	125.0	160.0	200.00	28.0	50.0

MT112	80.0	100.0	125.0	160.0	200.00	32.0	60.0
MT160	100.0	125.0	160.0	200.0	250.00	37.0	70.0
MT224	125.0	160.0	200.0	250.0	315.00	43.0	85.0
MT315	160.0	200.0	250.0	315.0	400.00	48.0	100.0
MT450	200.0	250.0	315.0	400.0	500.00	56.0	120.0
Bush diameter	Pin diameter	Pin length	Plate depth	Plate depth	Plate thickness	Ultimate tensile strength	
d3 max	d2 max	L max	h2 max	h max	T max	Q min	
mm	mm	mm	mm	mm	mm	KN/LB	
9	6.0	35.0	25.0	16.0	2.50	20/4500	
10	7.0	40.0	30.0	20.0	3.00	28/6300	
12.5	8.5	45.0	35.0	22.5	3.50	40/9000	
15	10.0	52.0	45.0	30.0	4.00	56/12600	
18	12.0	62.0	50.0	32.5	5.00	80/18000	
21	15.0	73.0	60.0	40.0	6.00	112/25200	
25	18.0	85.0	70.0	45.0	7.00	160/36000	
30	21.0	98.0	90.0	60.0	8.00	224/50400	
36	25.0	112.0	100.0	65.0	10.00	315/70875	
42	30.0	135.0	120.0	80.0	12.00	450/101250	



## MC series conveyor chain



ZMIE Chain No.	Pitch					Roller diameter			Bush diameter
	P					d1 max	d7 max	d5 max	d4 max
	mm					mm	mm	mm	mm
MC28	63.0	80.0	100.0	125.0	160.00	36.0	25	45.0	17.5
MC56	80.0	100.0	125.0	160.0	200.00 250.0	50.0	30	60.0	21.0



MC112	100.0	125.0	160.0	200.0	250.00	315.0	70.0	42	85.0	29.0
MC224	160.0	200.0	250.0	315.0	400.00	500.0	100.0	60	120.0	41.0

ZMIE Chain No.	Width between inner plates	Pin diameter		Pin length	Plate depth	Plate thickness	Ultimate tensile strength
	b1 min	d2 max	d3 min	L max	h2 max	T max	Q min
	mm	mm	mm	mm	mm	mm	KN/LB
MC28	20.0	13.0	8.2	36.0	25.00	3.5	28/6300
MC56	24.0	15.5	10.2	45.0	35.00	4.0	56/12600
MC112	32.0	22.0	14.3	62.5	50.00	6.0	112/25200
MC224	43.0	31.0	20.3	83.0	70.00	8.0	224/50400