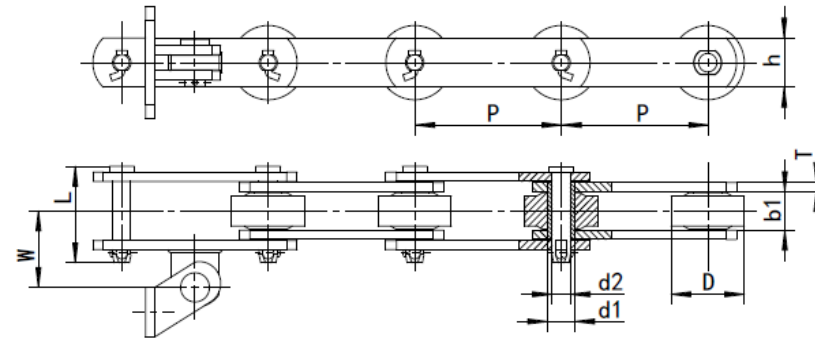
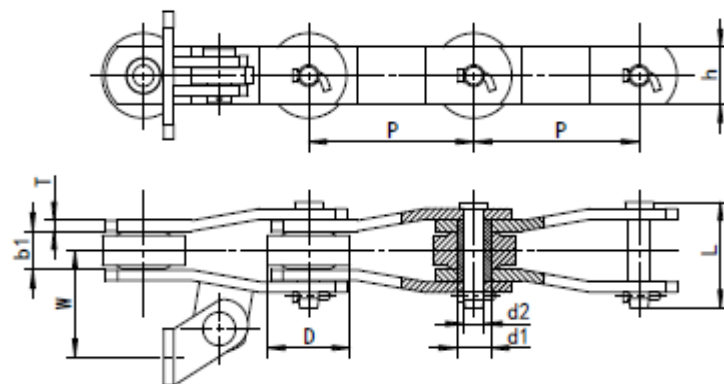


## AS2 attachment steel conveyor chain



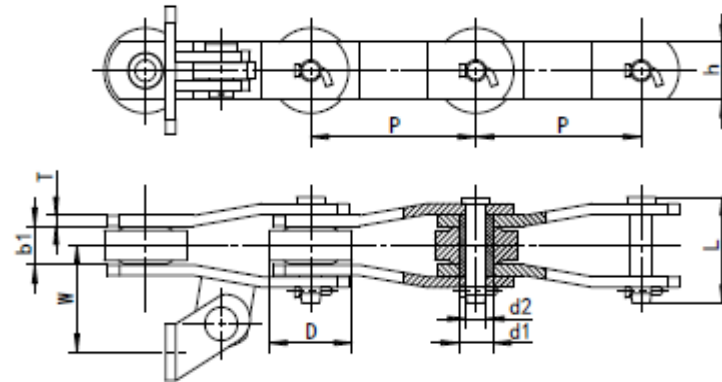
ZMIE Chain No.	Pitch	Inner depth	Plate thickness	Plate depth	Pin diameter	Pin length	Bush diameter	Roller diameter	Dimension s	Ultimate tensile strength
	P	b1	T	h	d2	L	d1	D	W	Q
	mm	mm	mm	mm	mm	mm	mm	mm	mm	KN
1131	152.4	39.6	9.5	50.8	19.1	99.0	28.6	76.2	66.0	209.0
09060	152.4	38.1	9.6	50.8	19.1	97.0	28.7	69.9	88.9	270.0
09061	152.4	38.1	9.6	57.1	19.1	97.0	28.7	69.9	88.9	380.0
09063	152.4	38.1	10.4	60.4	23.9	102.1	31.7	76.2	100.0	630.0
1796	152.4	38.1	9.6	57.1	22.1	99.0	31.7	69.9	88.9	450.0
2198	152.4	38.8	12.7	60.4	22.1	112.0	31.7	76.2	99.3	450.0

## AS2 attachment steel conveyor chain



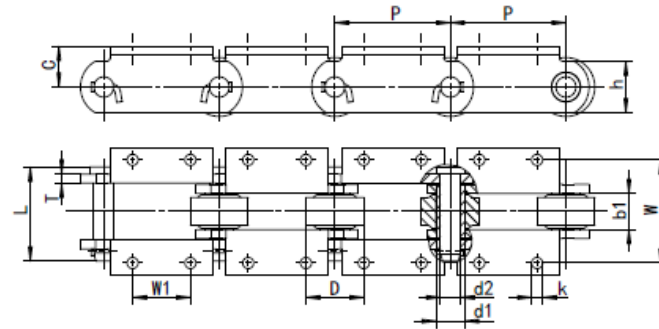
ZMIE Chain No.	Pitch	Inner depth	Plate thickness	Plate depth	Pin diameter	Pin length	Bush diameter	Roller diameter	Dimension s	Ultimate tensile strength
	P	b1	T	h	d2	L	d1	D	W	Q
	mm	mm	mm	mm	mm	mm	mm	mm	mm	KN
2184	152.4	34.9	9.5	50.8	22.2	95.2	31.7	76.2	91.9	356.0
09060	152.4	38.1	9.6	50.8	19.1	97	28.7	69.9	88.9	270.0
09061	152.4	38.1	9.6	57.1	19.1	97	28.7	69.9	88.9	380.0
09063	152.4	38.1	10.4	60.4	23.9	102.1	31.7	76.2	100.0	630.0
1796	152.4	38.1	9.6	57.1	22.1	99	31.7	69.9	88.9	450.0
2198	152.4	38.8	12.7	60.4	22.1	112	31.7	76.2	99.3	450.0
9184	152.4	38.1	12.7	63.5	23.9	12.8	31.7	76.2	98.4	787.0
9185	152.4	38.1	12.7	63.5	23.9	12.8	31.7	88.9	98.4	787.0

## AS2 attachment steel conveyor chain



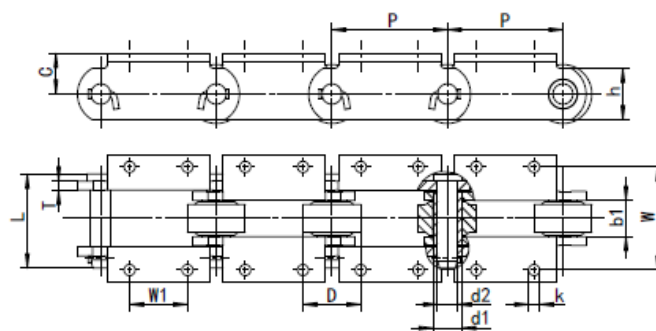
ZMIE Chain No.	Pitch	Inner depth	Plate thickness	Plate depth	Pin diameter	Pin length	Bush diameter	Roller diameter	Dimension s	Ultimate tensile strength
	P	b1	T	h	d2	L	d1	D	W	Q
	mm	mm	mm	mm	mm	mm	mm	mm	mm	KN
F9184	152.4	39.6	12.7	63.5	23.9	12.8	31.7	76.2	98.4	787.0
8184	203.2	45.9	12.7	69.8	25.4	96.7	38.1	88.9	81.8	750.0
B5509	228.6	37.8	9.6	57.1	22.2	76.4	31.7	76.2	79.2	450.0

## K2 attachment steel conveyor chain



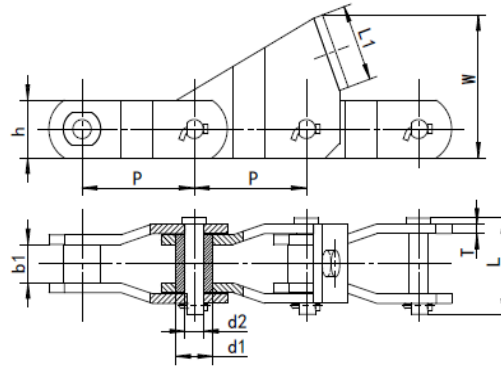
ZMIE Chain No.	Pitch	Width between inner plates	Plate thickness	Plate depth	Pin diameter	Pin length	Bush diameter	Roller diameter	Dimensions				Average tensile strength
	P	b1	T	h	d2	L	d1	D	W	W1	k	C	Q
	mm	mm	mm	mm	mm	mm	mm	mm	mm	mm	mm	mm	KN
0904	101.6	31.0	7.8	44.5	17.5	81.0	25.4	50.8	88.9	36.6	9.7	31.8	220.0
09060	152.4	38.1	9.6	50.8	19.1	97.0	28.7	69.9	112.1	76.2	12.7	41.4	270.0
SS996*	152.4	38.1	9.6	50.8	19.1	98.4	28.7	69.9	112.1	76.2	12.7	41.4	315.0
09061	152.4	38.1	9.6	57.2	19.1	97.0	28.7	69.9	112.1	76.2	12.7	41.4	380.0
1796	152.4	38.1	9.6	57.2	22.2	99.0	31.7	69.9	112.1	76.2	14.3	41.4	450.0
1797	152.4	38.1	9.6	57.2	22.2	99.0	31.7	76.2	112.1	76.2	14.3	41.4	450.0
2178*	152.4	39.7	9.5	50.8	22.3	95.3	28.7	69.8	143.1	76.2	14.3	41.4	270.0
2198*	152.4	38.1	12.7	60.4	22.1	112.0	31.7	76.2	112.1	76.2	12.7	41.4	450.0

## K2 attachment steel conveyor chain



ZMIE Chain No.	Pitch	Width between inner plates	Plate thickness	Plate depth	Pin diameter	Pin length	Bush diameter	Roller diameter	Dimensions				Average tensile strength
	P	b1	T	h	d2	L	d1	D	W	W1	k	C	Q
	mm	mm	mm	mm	mm	mm	mm	mm	mm	mm	mm	mm	KN
09063	152.4	38.1	10.4	60.4	23.9	102.1	31.7	76.2	112.1	76.2	12.7	44.5	630.0
09065	152.4	38.1	12.7	60.4	26.9	107.9	38.1	76.2	112.1	76.2	12.7	42.9	720.0
113C	152.4	38.4	12.7	65.0	22.2	111.2	31.7	81.0	112.1	76.2	14.3	45.5	420.0
SS800R*	203.2	45.9	12.7	71.4	25.6	124.0	38.1	88.9	131.8	114.3	16.0	55.6	750.0
B5513	228.6	61.1	16.0	69.8	31.8	142.6	44.4	107.9	203.2	76.2	19.0	69.9	810.0
C2630	304.8	69.9	16.0	88.9	35.1	193.6	44.4	101.6	203.2	127.0	17.5	69.9	1350.0

## Pusher type steel conveyor chain



ZMIE Chain No.	Pitch	Inner depth	Plate thickness	Plate depth	Pin diameter	Pin length	Bush diameter	Dimensions		Ultimate tensile strength
	P	b1	T	h	d2	L	d1	L1	W	Q
	mm	mm	mm	mm	mm	mm	mm	mm	mm	KN
5002-FG35	153.7	50.8	13.0	64.0	25.3	127.0	50.8	99.0	173.0	400.0
5025-FG36	152.4	50.8	12.7	76.2	25.3	127.0	50.8	101.6	184.4	520.0