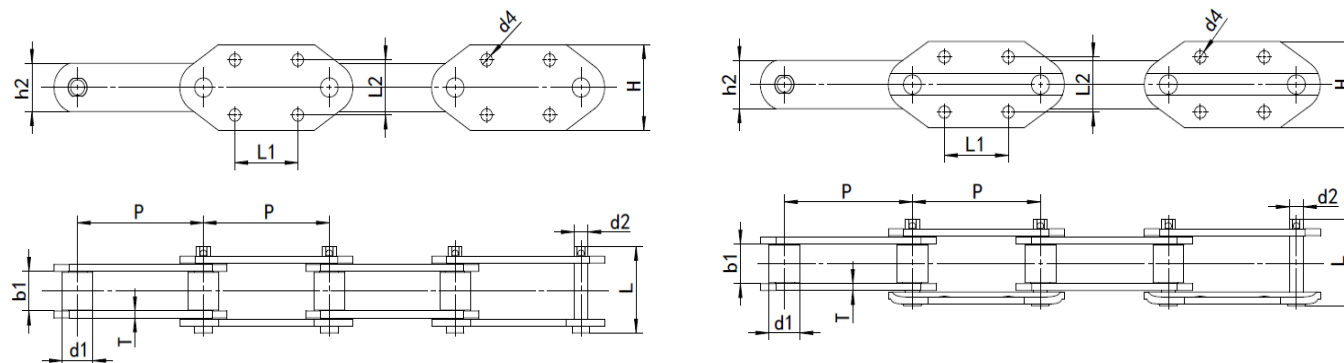




ZMIE Chain No.	Pitch	Width between inner plates	Roller diameter	Pin diameter	Pin length	Plate depth	Plate thickness	Dimensions			Ultimate tensile strength
	P	b1 min	d1 max	d2 max	L max	h2 max	T max	L1	L2	H	Q min
	mm	mm	mm	mm	mm	mm	mm	mm	mm	mm	KN
DT-15B	101.6	31.0	44.45	15.88	75.5	38	7.9	40	110	35.0	140
DT-50	160	33.7	38.0	15.88	82.5	50	8	60	130	50.0	240
DT-35	160	36.0	37.5	15.88	73.0	40	6	60	130	35.0	180
DT-30D	152.4	37.0	38.1	16.0	86.6	45	8	60	120	37.5	224
DT-30A	152.4	40.0	38.1	16.0	89.6	45	8	60	120	37.5	224
DT-150	200	57.6	48.5	22.2	126.0	75	10	80	160	40.0	400
DT-200	250	67.4	63.5	31.25	146.0	90	12	120	200	75.0	580

# Super Capacity Bucket Elevator Chain

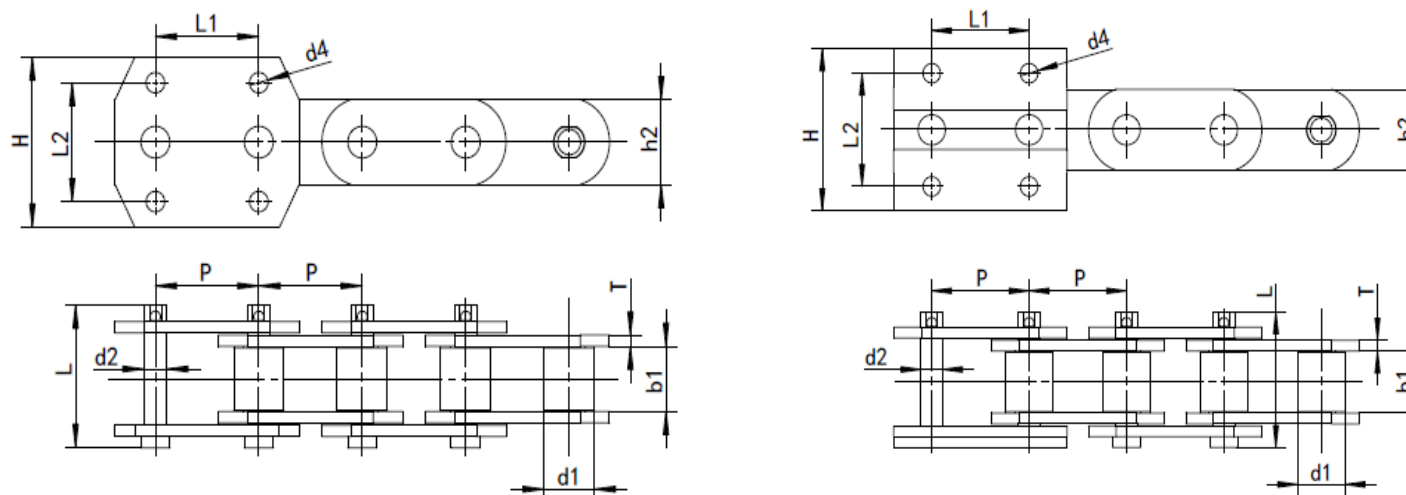
## NE type



ZMIE Chain No.	Pitch	Width between inner plates	Roller diameter	Pin diameter	Pin length	Plate depth	Plate thickness	Dimensions				Ultimate tensile strength
	P	b1 min	d1 max	d2 max	L max	h2 max	T max	H	d4	L1	L2	Q min
	mm	mm	mm	mm	mm	mm	mm	mm	mm	mm	mm	KN
NE15	101.6	27.0	26.5	11.5	70	35	6	K type	12	40	90	100
NE30	152.4	36.5	36.0	15.5	90	50	8	K type	14	60	120	240
NE50	152.4	36.5	36.0	15.5	90	50	8	110.0	14	75	70	240
NE100	200.0	51.8	44.5	19.1	120	60	10	125.0	18	100	80	380
NE150	200.0	57.6	48.5	22.2	126	75	10	125.0	18	100	80	550
NE200	250.0	67.4	63.5	31.8	146	90	12	150.0	18	140	100	750
NE300A	250.0	67.4	63.5	35.0	146	100	12	150.0	18	140	100	880

NE300	250.0	75.0	70.0	35.0	170	100	16	150.0	18	140	100	1000
NE400	300.0	75.0	70.0	35.0	170	100	16	180.0	22	170	120	1000
NE500	300.0	82.5	75.0	38.5	177	115	16	180.0	22	170	120	1200

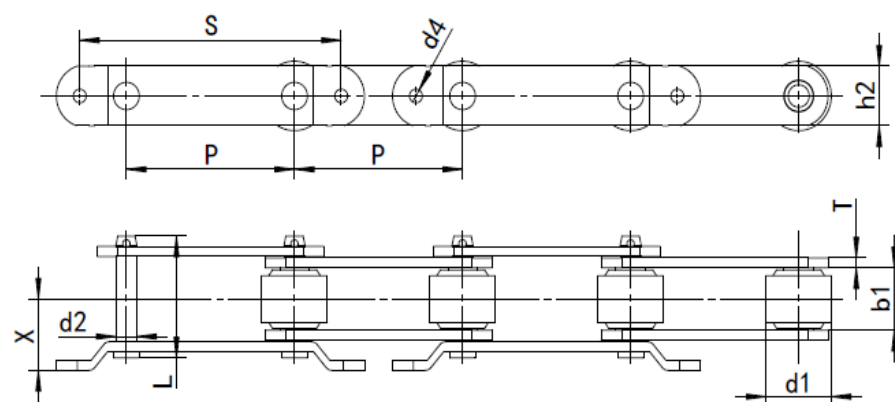
## NSE type



ZMIE Chain No.	Pitch	Width between inner plates	Roller diameter	Pin diameter	Pin length	Plate depth	Plate thickness	Dimensions				Ultimate tensile strength
	P	b1 min	d1 max	d2 max	L max	h2 max	T max	H	d4	L1	L2	Q min
	mm	mm	mm	mm	mm	mm	mm	mm	mm	mm	mm	KN
NSE200	100	51.8	44.5	19.1	111.5	60	10	150	18	100	105	420
NSE300	100	57.6	48.5	22.2	120	75	10	150	18	100	105	520
NSE400	125	67.4	63.5	31.8	139.0	90	12	180	18	125	130	750

NSE500	125	67.4	63.5	31.8	139	90	12	180	18	125	130	750
NSE600	125	75.0	70.0	35.0	165.0	100	16	180	18	125	130	1000
NSE700	150	83.5	75.0	38.5	175	115	16	205	22	150	150	1200
NSE800	152	83.5	80.0	41.0	175.0	115	16	205	22	152	150	1400
NSE1000	150	88.6	82.0	44.0	180	125	16	205	22	150	160	1600

## G100 Type



ZMIE Chain No.	Pitch	Width between inner plates	Roller diameter	Pin diameter	Pin length	Plate depth	Plate thickness	Dimensions			Ultimate tensile strength
	P	b1 min	d1 max	d2 max	L max	h2 max	T max	X	d4	S	Q min
	mm	mm	mm	mm	mm	mm	mm	mm	mm	mm	KN
3252	228.6	66.8	76.2	25.4	138.0	63.5	12.7	85.3	17.5	355.6	515
4035	228.6	80.0	88.9	28.58	152.4	76.2	12.7	91.3	17.5	355.6	585
4065	228.6	77.7	108.0	31.75	165.0	88.9	15.88	100.0	17.5	355.6	955
4037	228.6	82.5	114.3	38.1	178.0	101.6	15.88	99.3	20.5	387.4	1124